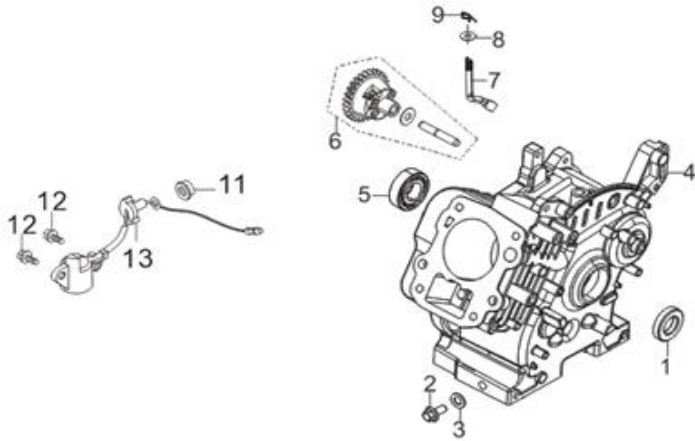
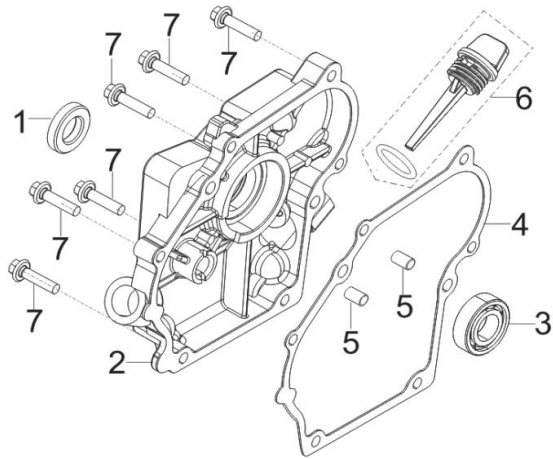


RT25ZB20-1.2Q

FIG.1 CRANKCASE ASSY. (E01)

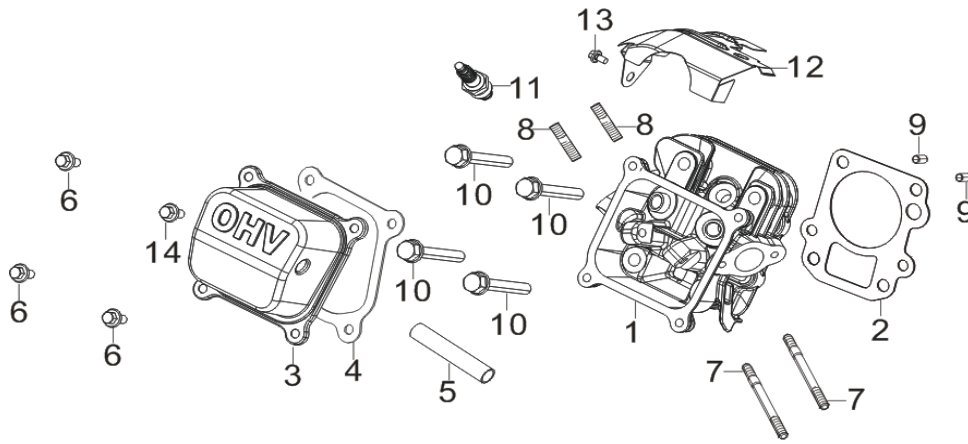


REF.NO.	PART NO	DESCRIPTION	Q'TY
E01-1	90682-Z510110-0000	SEAL, OIL	1
E01-2	11007-Z010110-0000	BOLT, DRAIN PLUG	1
E01-3	90408-Z010110-0000	WASHER, FLAT	1
E01-4	11310-Z210310-0B00	CRANKCASE SUBASSEMBLY.	1
E01-5	90548-0203-CL0E	BEARING, DEEP GROOVE BALL	1
E01-6	16400-Z210110-0000	GEAR ASSY, GOVERNOR	1
E01-7	16061-Z510210-0000	ARM, GOVERNOR	1
E01-8	90408-Z010210-0000	WASHER, FLAT	1
E01-9	90501-Z010110-0000	PIN	1
E01-11	90305-Z010210-01	NUT	1
E01-12	90001-0614-01	BOLT	2
E01-13	37060-Z510140-0000	SENSOR, ENGINE OIL	1

FIG.2 COVER SUBASSEMBLY, CRANKCASE (E02)

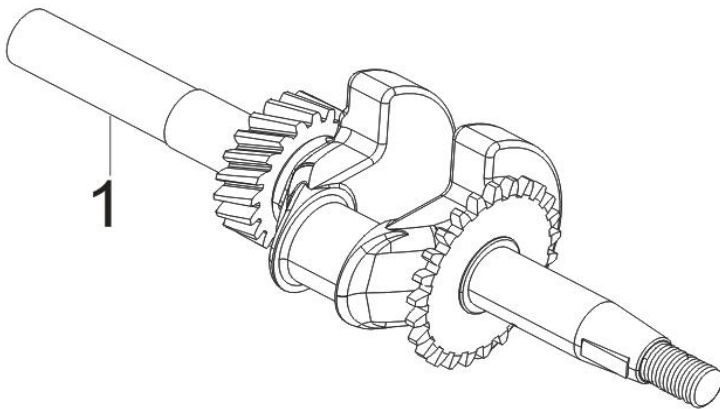
REF.NO.	PART NO	DESCRIPTION	Q'TY
E02-1	90682-Z510110-0000	SEAL, OIL	1
E02-2	11411-Z510310-0B00	COVER, CRANKCASE	1
E02-3	90548-0303-CL	BEARING, DEEP GROOVE BALL	1
E02-4	11001-Z510130-0000	GASKET, CRANKCASE	1
E02-5	90502-0812-00	PIN	2
E02-6	15010-Z510140-Q500	DIPSTICK SUBASSEMBLY, OIL	1
E02-7	90001-0625-01	BOLT	6

FIG.3 CYLINDER HEAD / PLUG, SPARK (E03)



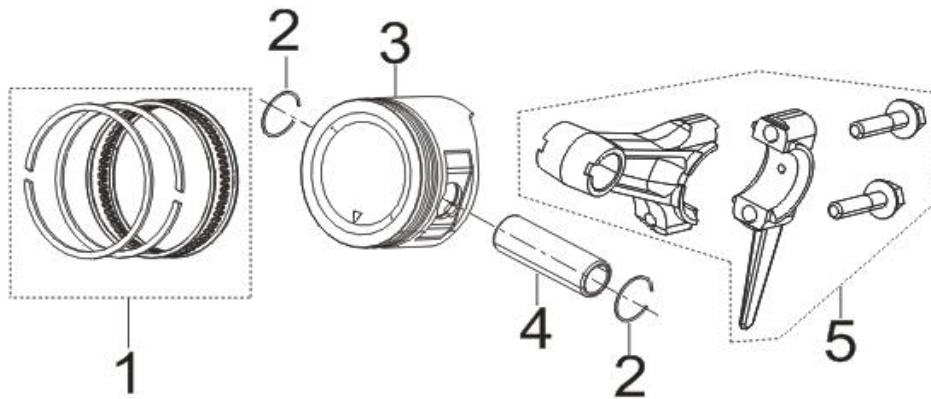
REF.NO.	PART NO	DESCRIPTION	Q'TY
E03-1	12140-Z0M0110-0B00	HEAD SUBASSEMBLY, CYLINDER	1
E03-2	12131-Z210110-0000	GASKET, CYLINDER HEAD	1
E03-3	12410-Z0M0110-0000	COVER SUBASSEMBLY, CYLINDER HEAD	1
E03-4	12004-Z0M0110-0000	GASKET, CYLINDER HEAD COVER	1
E03-5	17004-Z0M0310-0000	TUBE, BREATHER	1
E03-6	90001-0612-01	BOLT	3
E03-7	90204-Z010210-0000	BOLT	2
E03-8	90203-Z010110-0000	BOLT	2
E03-9	90502-0814-00	PIN	2
E03-10	12003-Z510110-0000	BOLT, CYLINDER HEAD	4
E03-11	30010-Z350210-00A0	PLUG, SPARK	1
E03-12	19304-Z510310-0000	SHROUD, CYLINDER BODY	1
E03-13	90001-0610-01	BOLT	1
E03-14	90001-0614-01	BOLT	1

FIG.4 ROD, CRANKSHAFT CONNETING (E04)



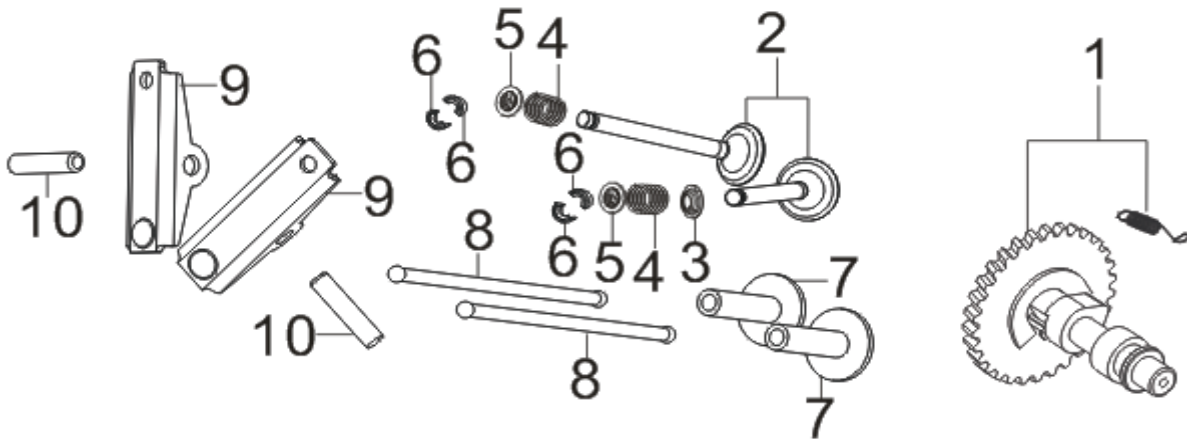
REF.NO.	PART NO	DESCRIPTION	Q'TY
E04-1	13300-Z210210-0000	CRANKSHAFT ASSY.	1

FIG.5 RING SET,OIL / ROD,CRANKSHAFT CONNETING (E05)



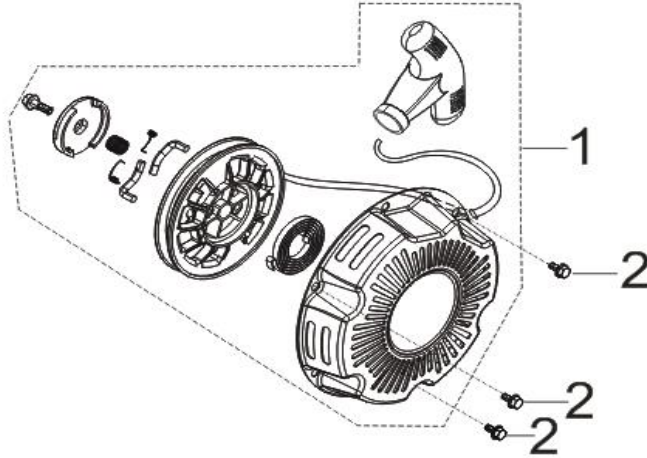
REF.NO.	PART NO	DESCRIPTION	Q'TY
E05-1	13200-Z450210-0000	RING ASSY, PISTON	1
E05-2	13122-Z450110-0000	CLIP, PISTON PIN	2
E05-3	13111-Z0M0110-0000	PISTON	1
E05-4	13121-Z450110-0000	PIN, PISTON	1
E05-5	13010-Z210110-0000	ROD, CONNECTING	1

FIG.6 TRAIN,VALVE / CAMSHAFT SUBASSEMBLY (E06)



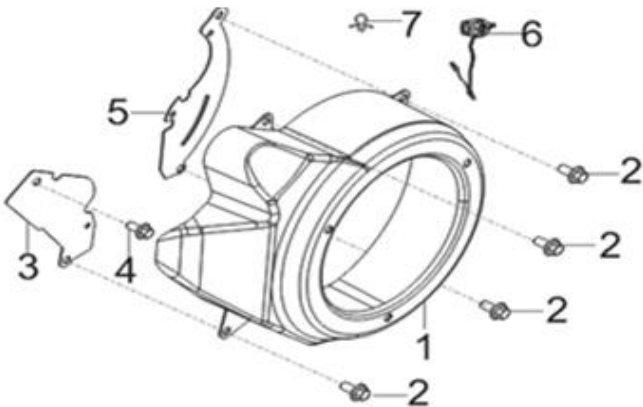
REF.NO.	PART NO	DESCRIPTION	Q'TY
E06-1	14200-Z0M0110-0000	CAMSHAFT ASSY.	1
E06-2	12110-Z0M0110-0000	VALVES SET	1
E06-3	12101-Z810210-0000	GUIDE, SEAL	1
E06-4	12103-Z510110-0000	SPRING, VALVE	2
E06-5	12112-Z810210-0000	SEAT, VALVE SPRING	2
E06-6	12109-Z810110-0000	CLAMP, VALVE LOCK	4
E06-7	14081-Z010110-0000	TAPPET, VALVE	2
E06-8	14071-Z0M0110-0000	LIFTER, VALVE	2
E06-9	14310-Z0M0110-0000	ROCKER SUBASSEMBLY, VALVE	2
E06-10	14318-Z950110-0000	SHAFT, VALVE ROCKER	2

FIG.7 STARTER,RECOIL (E07)



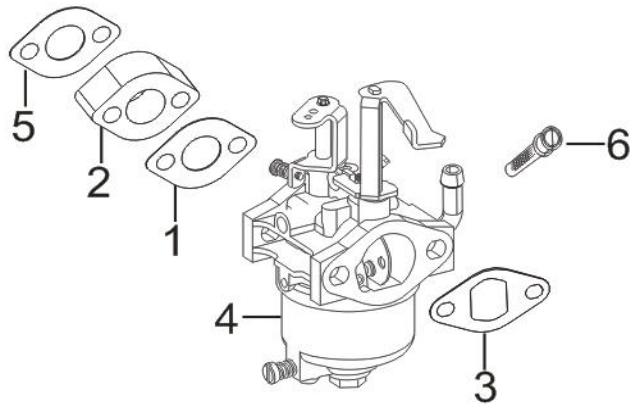
REF.NO.	PART NO	DESCRIPTION	Q'TY
E07-1	28200-Z510210-H600	STARTER ASSY, RECOIL	1
E07-2	90001-0608-01	BOLT	3

FIG.8 SHROUD / SHIELD,LOWER (08)



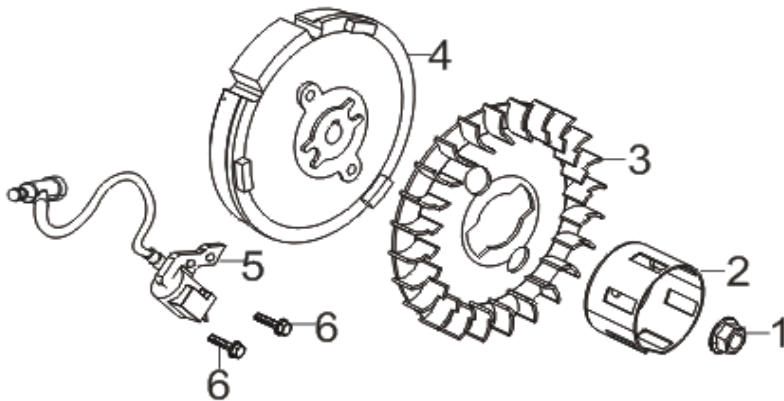
REF.NO.	PART NO	DESCRIPTION	Q'TY
E08-1	28110-Z510110-H600	SHROUD	1
E08-2	90001-0612-01	BOLT	4
E08-3	19306-Z510110-0000	DEFLECTOR, CRANKCASE AIR	1
E08-4	90001-0610-01	BOLT	1
E08-5	30028-Z510110-0000	SHIELD, SHROUD	1
E08-6	35540-Z060140-Q200	SWITCH SUBASSEMBLY, STOP ENGINE	1
E08-7	90684-Z250110-0000	CLIP	1

FIG.9 CARBURETOR ASSY. (E09)



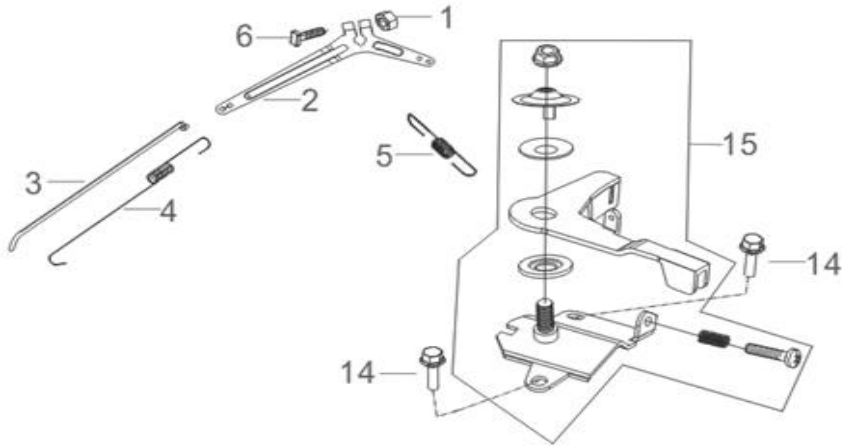
REF.NO.	PART NO	DESCRIPTION	Q'TY
E09-1	16001-Z510110-0000	GASKET, CARBURETOR	1
E09-2	16003-Z510210-0000	PLATE, CARBURETOR INSULATOR	1
E09-3	17001-Z510110-0000	GASKET, AIR CLEANER	1
E09-4	16100-Z0M0110-0009	CARBURETOR ASSY.	1
E09-5	17002-Z510110-0000	GASKET, INLET	1
E09-6	16652-Z800110-0000	STRAINER, FUEL	1

FIG.10 FLYWHEEL / IMPELLER / STARTER PULLEY / IGNITION COIL (E10)



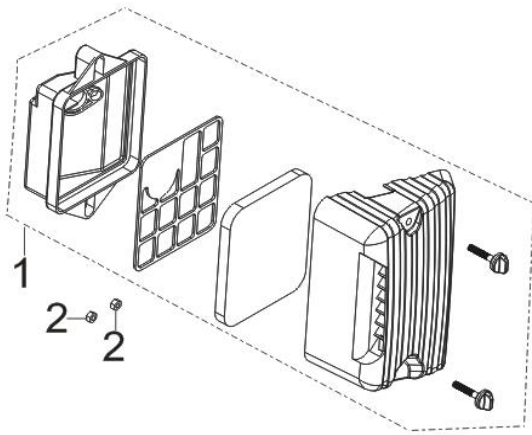
REF.NO.	PART NO	DESCRIPTION	Q'TY
E10-1	13501-Z510110-0000	NUT, FLYWHEEL	1
E10-2	28002-Z510110-0001	PULLEY, STARTER	1
E10-3	19352-Z510110-0001	IMPELLER	1
E10-4	13510-Z510110-0000	FLYWHEEL SUBASSEMBLY	1
E10-5	30400-Z0M0210-0000	COIL, IGNITION	1
E10-6	90001-0620-01	BOLT	2

FIG.11 CONTROL ASSY, THROTTLE (E11)



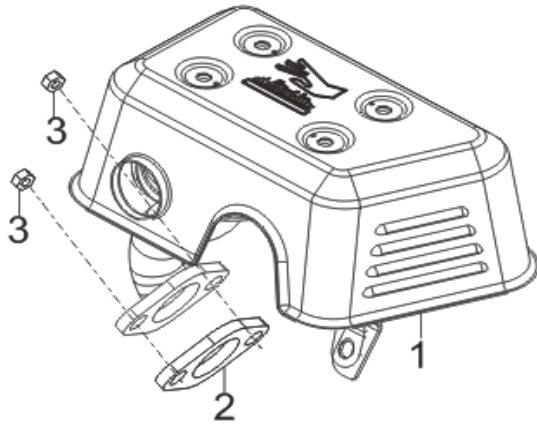
REF.NO.	PART NO	DESCRIPTION	Q'TY
E11-1	90305-0600-31	NUT	1
E11-2	16070-Z510210-0000	SUPPORT SUBASSEMBLY, GOVERNOR	1
E11-3	16062-Z0M0110-0000	ROD, GOVERNEOR	1
E11-4	16012-Z510110-0000	SPRING, THROTTLE VALVE RETURNING	1
E11-5	16063-Z0M0110-0000	SPRING, GOVERNOR	1
E11-6	16072-Z010110-0000	BOLT, GOVERNOR SUPPORT	1
E11-14	90001-0608-01	BOLT	2
E11-15	16520-Z510120-0000	CONTROL ASSY, THROTTLE	1

FIG.12 CLEANER, AIR (F01)



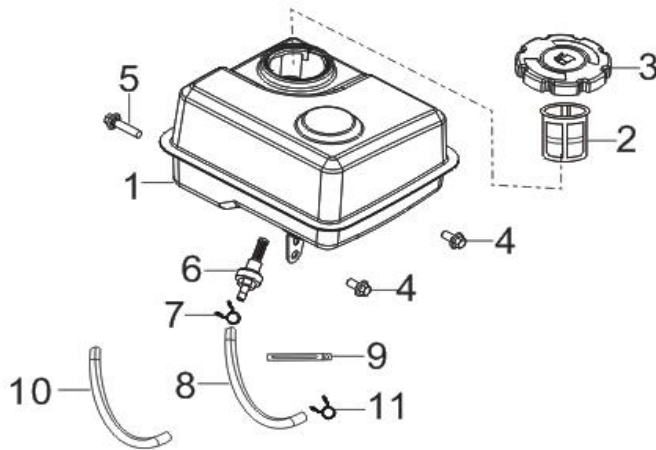
REF.NO.	PART NO	DESCRIPTION	Q'TY
F01-1	17100-Z510510-0000	CLEANER, AIR	1
F01-2	90305-0600-31	NUT	2

FIG.13 MUFFLER ASSY. (F02)



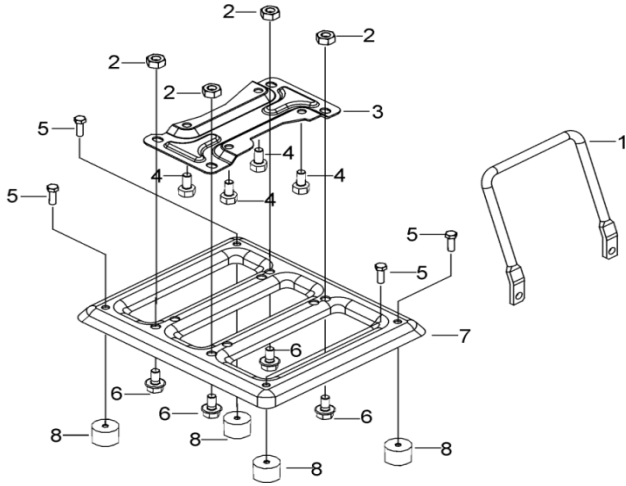
REF.NO.	PART NO	DESCRIPTION	Q'TY
F02-1	18100-Z0M0110-0000	MUFFLER ASSY.	1
F02-2	18001-Z510110-0000	GASKET, EXHAUST OUTLET	1
F02-3	90303-0800-31	NUT	2

FIG.14 TANK ASSY, FUEL (F03)



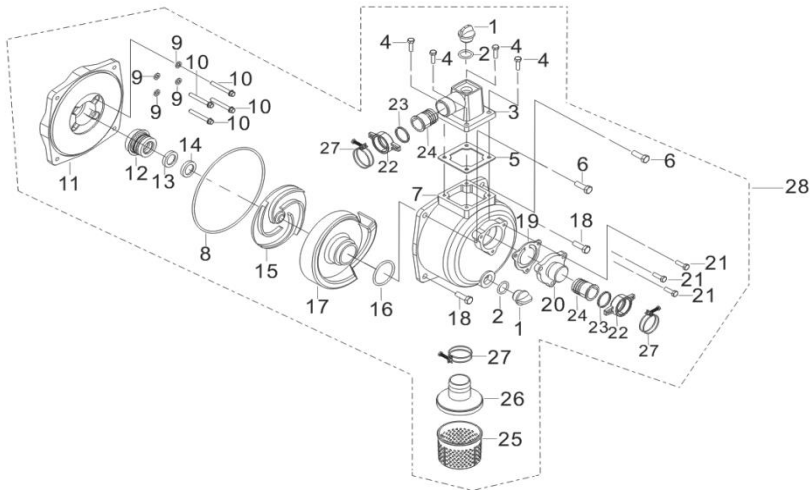
REF.NO.	PART NO	DESCRIPTION	Q'TY
F03-1	16620-Z510120-H600	TANK, FUEL	1
F03-2	16652-Z0M0110-0000	STRAINER, FUEL	1
F03-3	16730-Z300120-0000	COVER, FUEL TANK	1
F03-4	90001-0612-01	BOLT	2
F03-5	90001-0612-01	BOLT	1
F03-6	16680-Z010110-0000	OUTLET SUBASSEMBLY, FUEL TANK OIL	1
F03-7	90740-Z010210-0000	COLLAR	1
F03-8	90686-Z510110-0000	TUBE, FUEL	1
F03-9	90684-Z030120-0000	CLIP	1
F03-10	30431-Z010110-0000	JACKET, RUBBER	1
F03-11	90740-Z010610-0000	COLLAR	1

FIG.15 FRAME ASSY, ENGINE (F04)



REF.NO.	PART NO	DESCRIPTION	Q'TY
F04-1	54111-V040220-0000	TUBE, HANDLE	1
F04-2	90327-0800-31	NUT	4
F04-3	51002-Z450110-0000	ENGINE FIXED BOTTOM PLATE	1
F04-4	90001-0816-01	BOLT	4
F04-5	90001-0610-01	BOLT	4
F04-6	90001-0820-01	BOLT	4
F04-7	51143-V040110-H600	PLATE, BOTTOM	1
F04-8	51014HY450110-0000	SEAT, ENGINE FRAME SHOCK ABSORPTION	4

FIG.16 PUMP BODY (F61)



REF.NO.	PART NO	DESCRIPTION	Q'TY
F61-1	70107-V040310-0000	PLUG, THREAD	2
F61-2	70122-V040310-0000	WASHER, SCREW PLUG	2
F61-3	70108-V040710-0P00	OUTLET, WATER	1
F61-4	90001-0620-01	BOLT	4
F61-5	70109-V040410-0000	GASKET, OUTLET	1
F61-6	90001-0825-01	BOLT	2
F61-7	70105-V040410-0P00	PUMP BODY	1
F61-8	70119-V040410-0000	CUSHION, WATER PUMP JOINT	1
F61-9	90409-V050110-0000	GASKET	4
F61-10	90001-0645-01	BOLT	4
F61-11	70118-V040410-0P00	JOINT, WATER PUMP	1
F61-12	70300-V040410-0000	SEAL ASSY, MECHANISM	1
F61-13	70309-V040410-0000	SEAL, PORCELAIN	1
F61-14	70125-V040410-0000	RING, IMPELLER SEAL	1
F61-15	70102-V040410-0000	IMPELLER, WATER PUMP	1
F61-16	70104-V040410-0000	RIGN, WHORL CASE SEALING	1
F61-17	70103-V040410-0000	CASE, WHORL	1
F61-18	90001-0820-01	BOLT	2
F61-19	70115-V040410-0000	GASKET, INLET WATER	1
F61-20	70116-V040710-0P00	INLET, WATER	1
F61-21	90001-0620-01	BOLT	3
F61-22	70111-V040110-0000	JOINT, HOSE	2
F61-23	70131-V040110-0000	RING, HOSE JOINT SEAL	2
F61-24	70112-V040310-0P00	INTERFACE, HOSE	2
F61-25	70114-V040110-0000	FILTER	1
F61-26	70113-V040110-0000	COVER, FILTER	1
F61-27	70400-V040110-0000	HOOP SUBASSEMBLY, HOSE	3
F61-28	70100-V040310-0P00	PUMP ASSY, WATER	1